

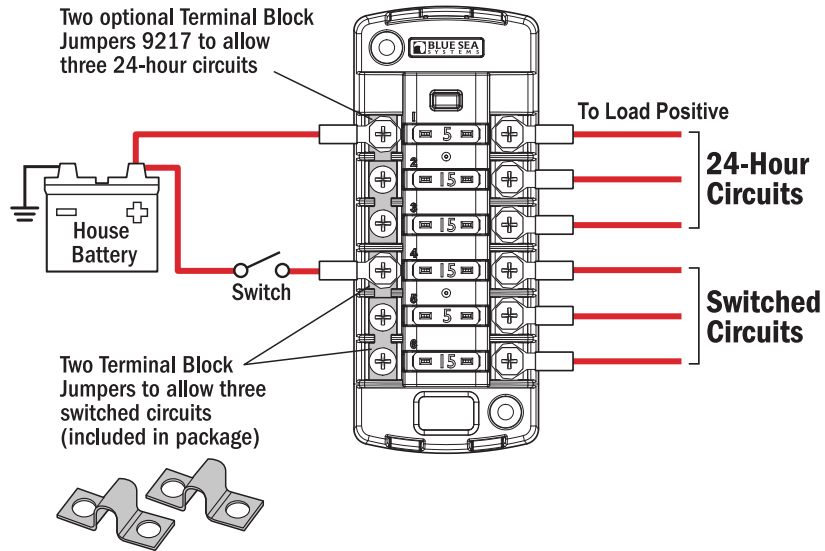
# ST Blade Fuse Block

3 Independent Sourced Circuits, 3 Common Sourced Circuits

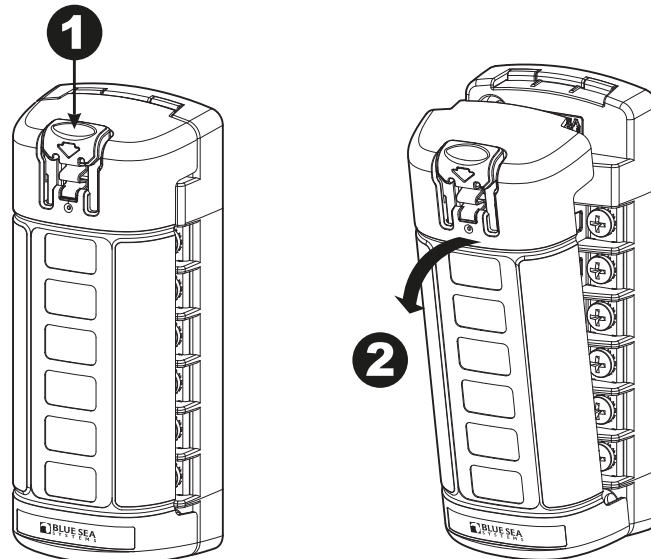
PN 5035 / PN 5037

## Wiring Diagram Example

3 24-Hour Circuits, 3 Switched Circuits



Push yellow latch down to open the cover



425 Sequoia Drive  
Bellingham, WA 98226 USA  
p 360.738.8230  
p 800.222.7617 USA and Canada Customer Service  
f 360.734.4195  
conductor@blueseas.com  
www.blueseas.com