

BLUE SEA SYSTEMS Marine Electrical Products

ST Glass Fuse Block

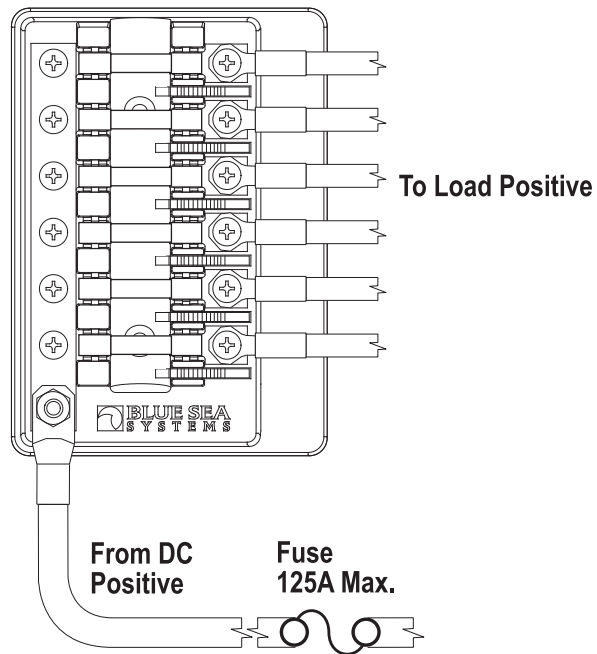
6 Circuits

PN 5018

Instructions

- To open cover, lift left side notch with thumb
- To remove fuses, press down on yellow fuse ejection lever
- Mount using #10 pan head screws

Wiring Diagram



Application Note: This device is intended for branch circuit protection. Suitable main circuit protection of not more than 125A rating should be provided ahead of this device with an interrupt current rating consistent with the battery capacity. Consult ABYC E-11 Table V See "Circuit Protection" at www.blueseasystems.com.



425 Sequoia Drive
Bellingham, WA 98226 USA
p 360.738.8230
p 800.222.7617 USA and Canada Customer Service
f 360.734.4195

conductor@blueseasystems.com
www.blueseasystems.com